

NOTES: UNLESS OTHERWISE SPECIFIED

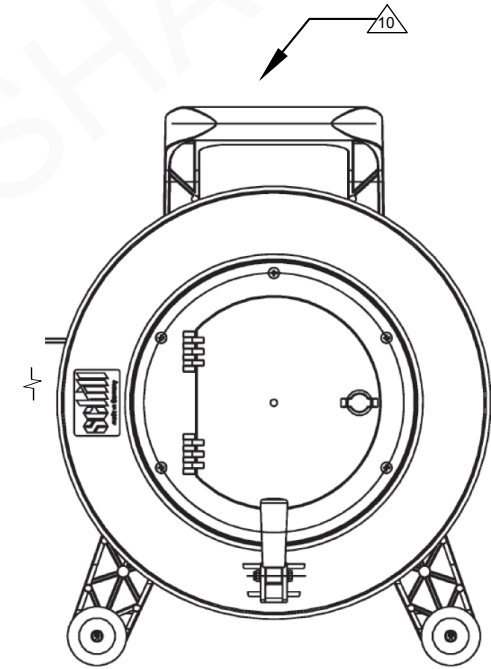
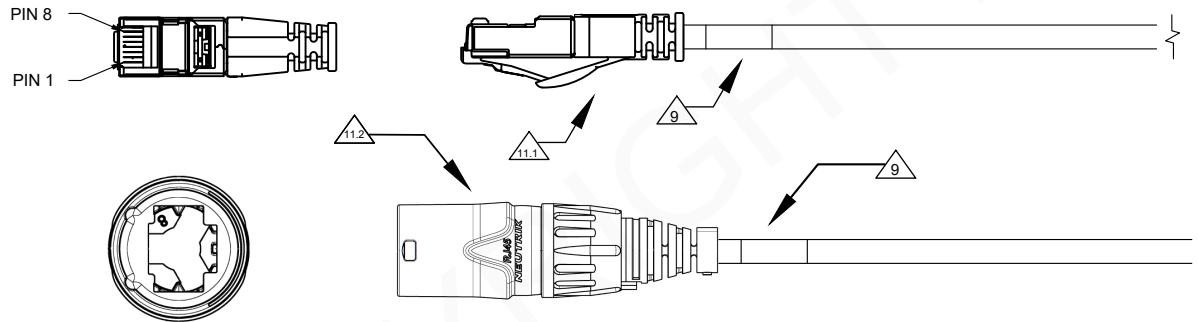


TACTICAL AND RUGGED DEPLOYABLE ETHERNET ASSEMBLY BUILD SPECIFICATIONS (CAT 5E SHIELDED)

REV	ECR	DESCRIPTION	BY	DATE	CHECKED
B	-	INITIAL RELEASE	T.D.	2/21/22	T.D.

MANUFACTURED IN THE USA | TAA COMPLIANT

1. MATERIALS AND COMPONENTS ARE RoHS/REACH COMPLIANT.
2. CONNECTORS AND CABLE MEET THE REQUIREMENTS OF ANSI/TIA 568-C.2.
3. ISO CERTIFIED MANUFACTURING IN THE USA
4. 100% CONTINUITY TESTING WITH 15% AQL ON ATTENUATION NEXT, & RETURN LOSS
5. IMPEDANCE TESTING WITH HP NETWORK ANALYZER
6. COMPONENT CERTIFIED FOR LENGTHS 65 FEET OR UNDER
7. CHANNEL CERTIFIED FOR ANY LENGTH OVER 65 FEET
8. COMPLIES WITH EIA/TIA 568A CAT 5E SPECIFICATIONS
9. QUICKTREX LABEL WHICH INCLUDES PART NUMBER & SERIAL NUMBER
10. ASSEMBLY INSTALLED ON DEPLOYMENT REEL WITH 10FT LEAD ON BACK END IF CHOSEN
11. CONNECTOR OPTIONS:
 - 11.1: STANDARD SHIELDED RJ45 MODULAR PLUG WITH STRAIN RELIEF BOOT
 - 11.2: NEUTRIK ETHERCON CONNECTOR



OPTIONAL DEPLOYMENT REEL

BILL OF MATERIALS		
ITEM	QUANTITY	COMPONENT
1	1	CAT5E SHIELDED 24AWG/4PAIR 350MHz TACTICAL INDUSTRIAL S/STP ETHERNET CABLE
2	2	SHIELDED RJ45 CAT 5E CONNECTOR WITH CLEAR SNAGLESS BOOT OR NEUTRIK ETHERCON CONNECTOR
3	1	TESTING
4	VARIES	QUICKTREX LABELING (REEL, SERIAL, SKU, TEST CONFIRMATION)
5	OPTIONAL	DEPLOYMENT REEL

DESCRIPTION: CAT 5E SHIELDED TACTICAL & RUGGED DEPLOYABLE CUSTOM ETHERNET ASSEMBLY

DRAWN BY: T.D. 02/21/2021

APVD BY: J.P. 02/22/2021

DIMENSIONS: METRIC [IMPERIAL]

PROPRIETARY AND CONFIDENTIAL

THIS DOCUMENT CONTAINS PROPRIETARY INFORMATION OF LANSHACK. NOT TO BE USED, COPIED, OR DISCLOSED WITHOUT WRITTEN PERMISSION. ALL RIGHTS RESERVED.



TITLE: CAT 5E SHIELDED TACTICAL & RUGGED DEPLOYABLE CUSTOM ETHERNET ASSEMBLY

SIZE	PART. NO.	REV
A	QT-TAC-C5E	B

SCALE: NOT TO SCALE

SHEET 1 OF 1